



Filters for Communication Lines

Filter Cabinets

Series/Type: **B84299G0056/B84299G0111**

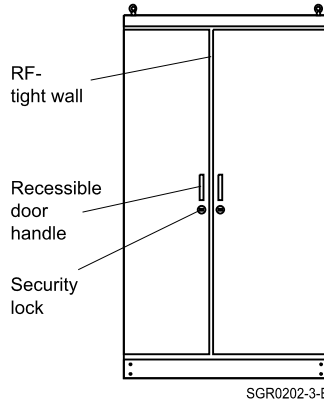
Date: January 2004

© EPCOS AG 2015. Reproduction, publication and dissemination of this publication, enclosures hereto and the information contained therein without EPCOS' prior express consent is prohibited.

EPCOS AG is a TDK Group Company.

Models

- Filter cabinets for max. 336 communication line filters with 1 pair or 2 lines
- Filter cabinets for max. 50 communication line filters with 10 pairs or 20 lines
- Filter for ISDN lines



Features

The cabinets can be equipped as required. A cable that simultaneously carries switching signals, communication signals and DC power, for example, can be split to separate filters for optimum signal transmission plus high stopband attenuation.

Only one RF-tight connection (connector fitting 80 mm, see chapter "Installation Accessories") is needed on the shielding wall. The split cables are protected by the cabinet.

Design

The filter cabinet is of 1.5 mm sheet steel. Through the middle there is an RF-tight, welded-in shielding wall of 3 mm high-grade steel ready provided with holes for filter attachment. Unused holes are sealed off by RF-tight screw plugs, which can be removed for later filter additions.

Access and connection

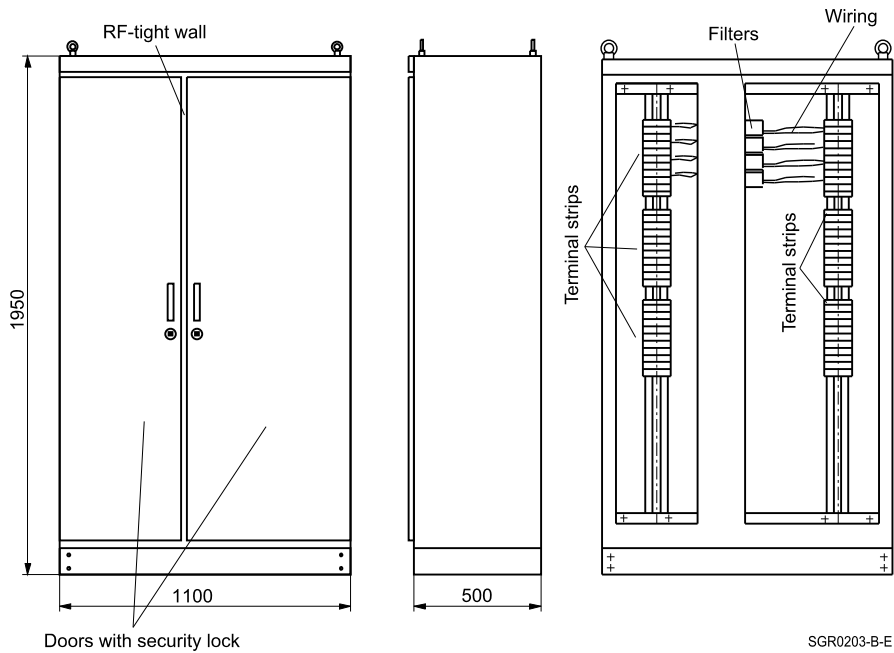
The filter cabinet is accessible through doors. Each has a recessible handle and can be locked. The cabinet has a specially designed lid with a dual seal that is bolted RF-tight to the cabinet.

There are clamping terminals for cable connection. Modified cable inlets and outlets are available upon request.

Filter cabinets for communication filters with 1 pair or 2 lines
Ordering code: B84299G0056...

(the ordering code will be completed by the producer)

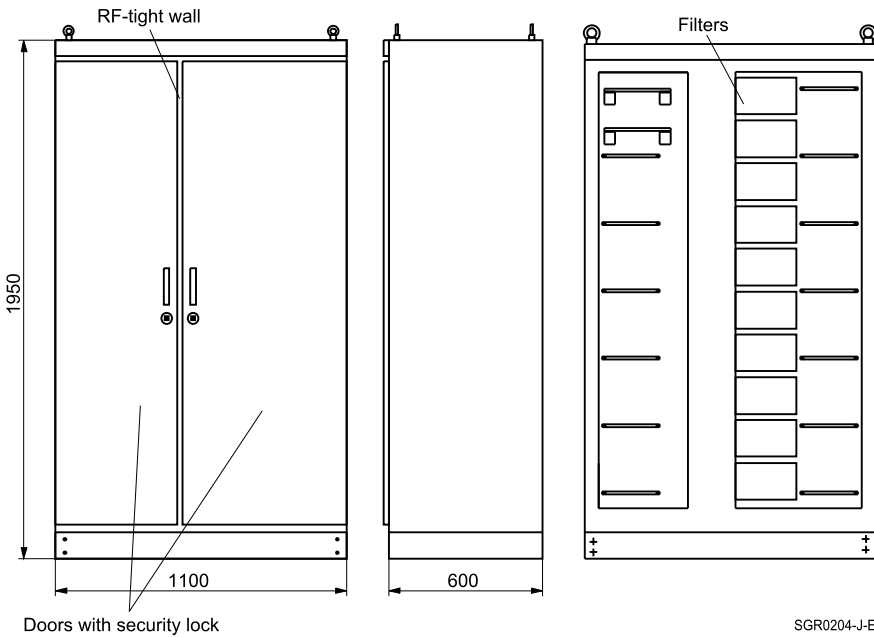
 The following example is a cabinet for
 max. 336 filters = 336 pairs/672 lines

Dimensional drawing


Filter cabinets for communication filters with 10 pairs or 20 lines
Ordering code: B84299G0111...

(the ordering code will be completed by the producer)

 The following example is a cabinet for
 max. 50 filters = 500 pairs/1000 lines

Dimensional drawing


SGR0204-J-E

Important notes

The following applies to all products named in this publication:

1. Some parts of this publication contain **statements about the suitability of our products for certain areas of application**. These statements are based on our knowledge of typical requirements that are often placed on our products in the areas of application concerned. We nevertheless expressly point out **that such statements cannot be regarded as binding statements about the suitability of our products for a particular customer application**. As a rule we are either unfamiliar with individual customer applications or less familiar with them than the customers themselves. For these reasons, it is always ultimately incumbent on the customer to check and decide whether a product with the properties described in the product specification is suitable for use in a particular customer application.
2. We also point out that **in individual cases, a malfunction of electronic components or failure before the end of their usual service life cannot be completely ruled out in the current state of the art, even if they are operated as specified**. In customer applications requiring a very high level of operational safety and especially in customer applications in which the malfunction or failure of an electronic component could endanger human life or health (e.g. in accident prevention or life-saving systems), it must therefore be ensured by means of suitable design of the customer application or other action taken by the customer (e.g. installation of protective circuitry or redundancy) that no injury or damage is sustained by third parties in the event of malfunction or failure of an electronic component.
3. **The warnings, cautions and product-specific notes must be observed.**
4. In order to satisfy certain technical requirements, **some of the products described in this publication may contain substances subject to restrictions in certain jurisdictions (e.g. because they are classed as hazardous)**. Useful information on this will be found in our Material Data Sheets on the Internet (www.tdk-electronics.tdk.com/material). Should you have any more detailed questions, please contact our sales offices.
5. We constantly strive to improve our products. Consequently, **the products described in this publication may change from time to time**. The same is true of the corresponding product specifications. Please check therefore to what extent product descriptions and specifications contained in this publication are still applicable before or when you place an order.

We also **reserve the right to discontinue production and delivery of products**. Consequently, we cannot guarantee that all products named in this publication will always be available. The aforementioned does not apply in the case of individual agreements deviating from the foregoing for customer-specific products.
6. Unless otherwise agreed in individual contracts, **all orders are subject to our General Terms and Conditions of Supply**.
7. **Our manufacturing sites serving the automotive business apply the IATF 16949 standard**. The IATF certifications confirm our compliance with requirements regarding the quality management system in the automotive industry. Referring to customer requirements and customer specific requirements ("CSR") TDK always has and will continue to have the policy of respecting individual agreements. Even if IATF 16949 may appear to support the acceptance of unilateral requirements, we hereby like to emphasize that **only requirements mutually agreed upon can and will be implemented in our Quality Management System**. For clarification purposes we like to point out that obligations from IATF 16949 shall only become legally binding if individually agreed upon.
8. The trade names EPCOS, CeraCharge, CeraDiode, CeraLink, CeraPad, CeraPlas, CSMP, CTVS, DeltaCap, DigiSiMic, ExoCore, FilterCap, FormFit, LeaXield, MiniBlue, MiniCell, MKD, MKK, MotorCap, PCC, PhaseCap, PhaseCube, PhaseMod, PhiCap, PowerHap, PQSine, PQvar, SIFERRIT, SIFI, SIKOREL, SilverCap, SIMDAD, SiMic, SIMID, SineFormer, SIOV, ThermoFuse, WindCap are **trademarks registered or pending** in Europe and in other countries. Further information will be found on the Internet at www.tdk-electronics.tdk.com/trademarks.